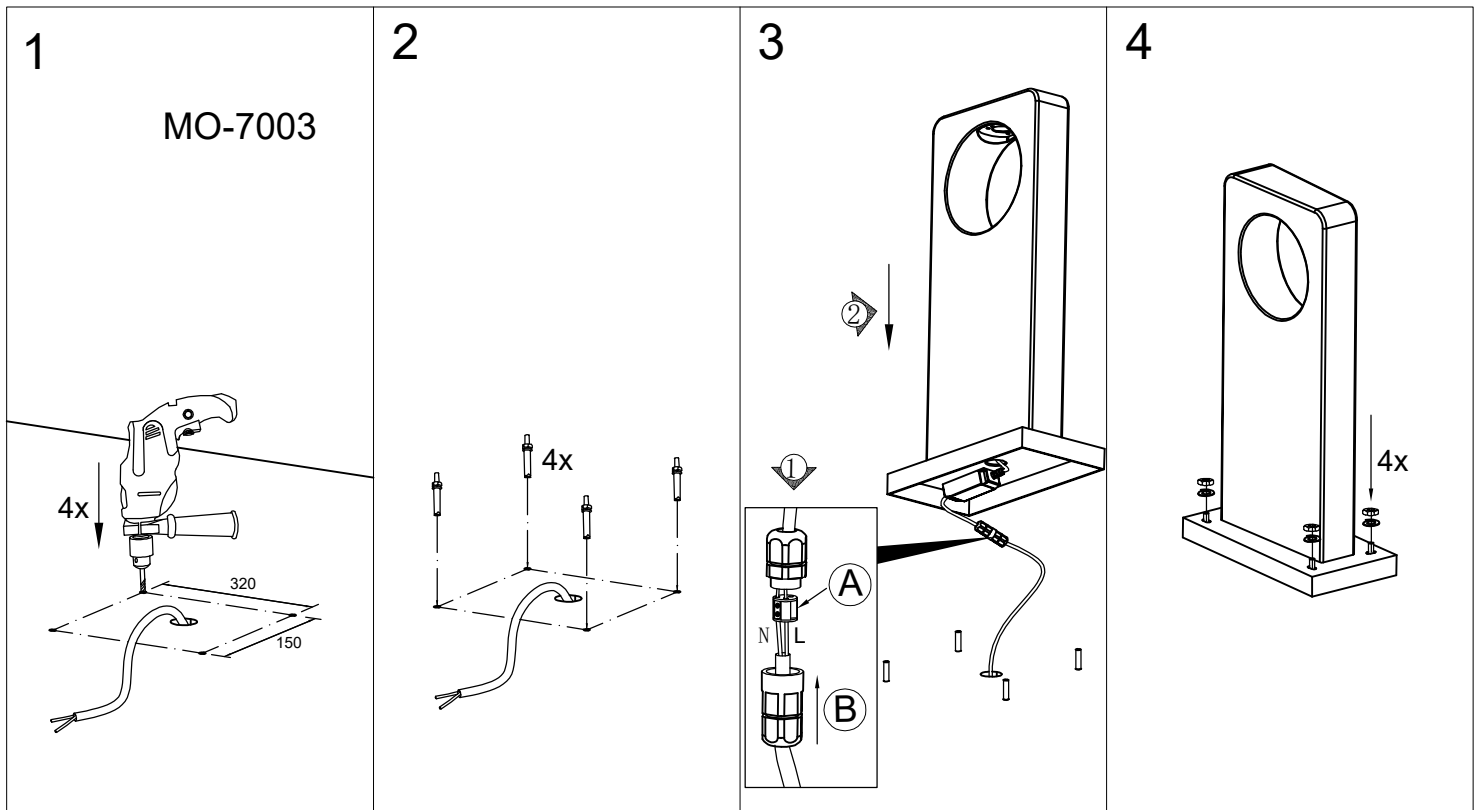


ATTENTION: FOR THIS OPERATION YOU HAVE TO CUT OFF THE POWER

MAXIMUM
220-240V~ 50/60Hz Total:9W
LED 6.5W



MAXIMUM
220-240V~ 50/60Hz Total:9W
LED 6.5W

